

ZERO 12.7mm HIGH FLAT THRESHOLDS

Sizes: 914mm (3 ft), 1219mm (4 ft), 1829mm (6 ft), 2134mm (7 ft), 3048mm (10 ft). Other sizes available to order, maximum 3048mm.
 Finishes: A=mill aluminium, B=self colour brass (aka US bronze), D=dark bronze anodised, E=epoxy, STST=stainless steel, V3=full body strength where indicated.
 Availability: usually ex-stock except items marked with an asterisk, which are to special order (2-3 weeks) depending on quantity.



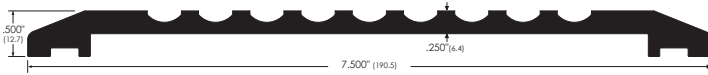
657A

178mm wide x 12.7mm high utility plain grooved threshold for use with floorsprings in new applications (undrilled)
 657A Aluminium, mill finish



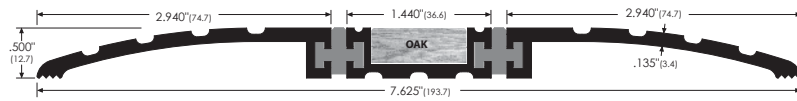
6570A

178mm wide x 12.7mm high utility plain grooved threshold for use with floorsprings (undrilled)
 6570A Aluminium, mill finish



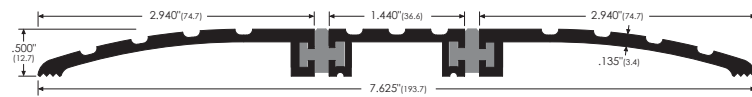
6575A

190mm wide x 12.7mm high utility plain grooved threshold for use with floorsprings in existing applications (undrilled)
 6575A Aluminium, mill finish



726A

194mm wide x 12.7mm high thermal break threshold with PVC breaks and oak insert
 726A* Aluminium, mill finish



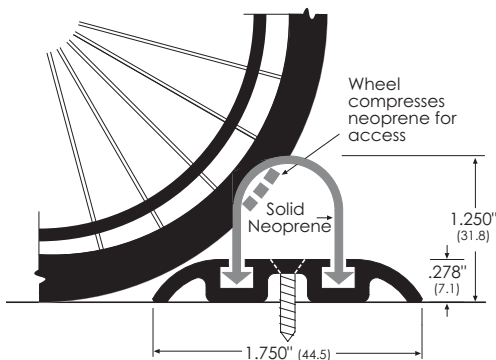
8726A

194mm wide x 12.7mm high thermal break threshold with PVC breaks
 8726A* Aluminium, mill finish

See pages 24-25 for more thermal break thresholds.

WHEELCHAIR SHOWER THRESHOLDS

Designed for use when a shower must be accessible to a wheelchair. The neoprene gasket will keep water in while allowing the wheel to pass over easily.



8452A

44mm wide x 7mm high wheelchair accessible shower threshold. The solid neoprene gasket is 32mm high and will retain water, while allowing wheelchair users to pass over it easily.
 8452A Aluminium, mill finish