

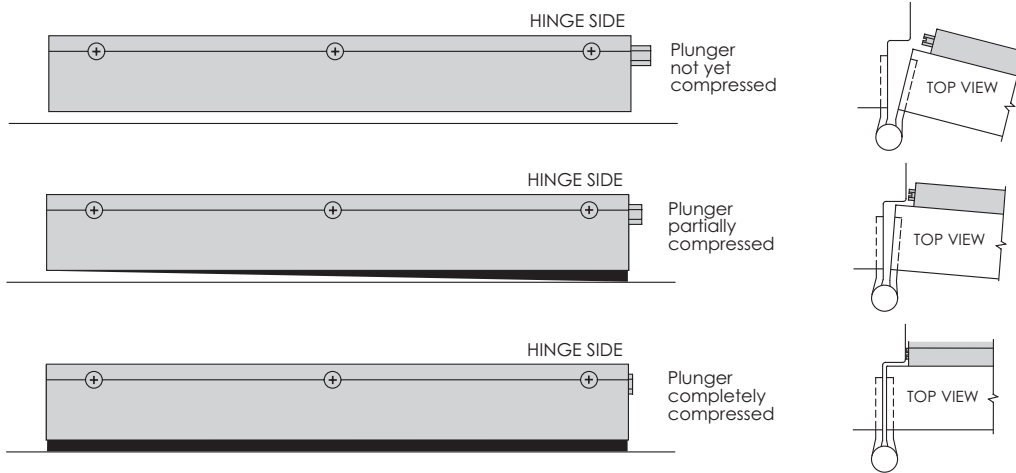
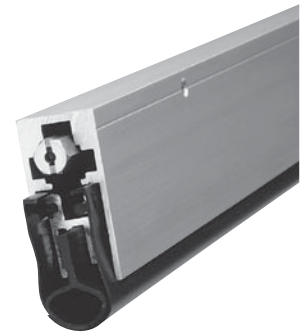
ZERO DROPSEALS

Zero dropseals are fitted to the bottom of the door and automatically drop down each time the door is closed (adjustable drop up to 25mm on most patterns). The mechanical unit requires no electrical power to operate, and works on a hinge side plunger with flat spring mechanism that drops the neoprene gasket in a scissor like motion for a tight seal without any drag, even on an uneven floor. As the neoprene seal compresses, it forms a tight secure bond against the threshold or floor. The door seal retracts automatically when the door is opened.

Zero dropseals have been tested to five million cycles and are also available surface mounted (for retrofit). The product is available in stock sizes from 305mm to 3497mm in 152mm increments, and may be cut down by up to 152mm (less for sizes under 610mm) from the non operating end to suit exact door widths. Units are not handed (except 321A, 323A, 340A and 354A), and operate from one end only so they can be used on pairs of doors.

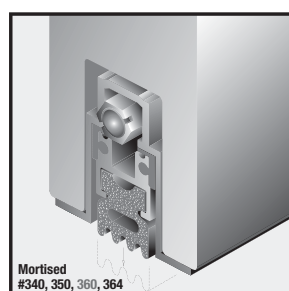
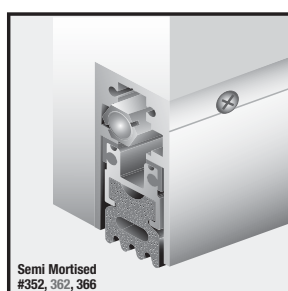
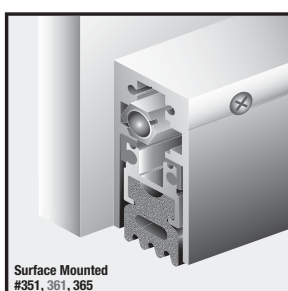
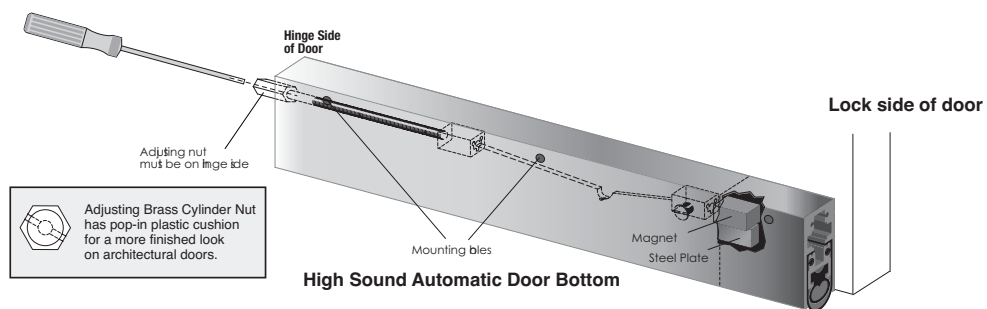
Special purpose dropseals are also available (see page 8) with light springing for disabled users, with lead lining for X-ray doors, and with carbon filled silicone rubber gasket to combat electromagnetic/radio frequency interference. These units ensure an effective seal at the bottom of the door against air and smoke filtration, or penetration by sound, light, flames, toxic gases, electromagnetic and radio interference or X-rays. Used in conjunction with other Zero frame seals they form part of a total door kit.

All ZERO automatic door bottoms function the same way. The mechanism causes the insert seal to activate on the hinge side first. It prevents the seal from dragging along the floor or threshold while the door is being closed to avoid door hang-up or closing delay.



AUTO. DOOR BOTTOM LENGTH MM	406	407-457	458-610	611-762	763-813	814-914	915-1067	1068-1219
MINIMUM LENGTH AFTER CUTTING MM [▲]	356	394	432	559	660	737	863	1016

[▲] Does not apply for Light Spring types or part #367, #368, #369, which may not be cut down as much.



ZERO DROPSEALS

TYPICAL BUILDINGS REQUIRING DROPSEALS

- ENTRANCES** particularly in areas of inclusive design where thresholds are not allowed
- ENTERTAINMENT** cinemas (keeping sound out), nightclubs (keeping sound in), theatres, stadia
- BROADCASTING** TV & Radio companies, recording studios
- TRAVEL** airports, railways, ferry terminals
- INDUSTRIAL** oil rigs, turbine rooms, plant rooms, factory offices
- MEDICAL** doctors surgeries, health centres, hospitals, consulting rooms

- BUSINESS** offices, meeting/conference rooms, computer rooms
- EDUCATION** university/college lecture theatres, research facilities, music rooms
- PUBLIC** libraries
- INTERVIEW ROOMS** police stations, magistrates courts, banks, building societies, drink & drugs rehabilitation, legal practices, probation offices
- RESEARCH** laboratories, dark rooms
- LEISURE** hotel bedrooms, conference facilities

ZERO DROPSEALS - STOCK AVAILABILITY GRID - OTHER SIZES TO SPECIAL ORDER

PRODUCT REF	STANDARD SIZES (MM)																
	254	305	381	460	533	610	685	762	914	1067	1219	1371	1524	1676	1828	2134	2438
320A	-	-	-	✓	-	✓	-	✓	✓	✓	✓	✓	✓	✓	-	-	-
321AA	-	-	-	✓	-	✓	-	✓	✓	✓	✓	✓	✓	-	-	-	-
323A	-	-	-	✓	-	✓	-	✓	✓	✓	✓	✓	✓	-	-	-	-
340A	-	-	-	✓	-	✓	-	✓	✓	✓	✓	✓	✓	-	-	-	-
350A	-	-	-	✓	-	✓	-	✓	✓	✓	✓	✓	✓	✓	✓	✓	✓
351XAA*	-	-	-	✓	-	✓	-	✓	✓	✓	✓	-	-	-	-	-	-
351AA	-	✓	-	✓	-	✓	-	✓	✓	✓	✓	✓	✓	✓	✓	✓	✓
352AA	-	✓	-	✓	-	✓	-	✓	✓	✓	✓	✓	✓	✓	✓	✓	✓
354A	-	-	-	✓	-	✓	-	✓	✓	✓	✓	-	-	-	-	-	-
355A	-	-	-	✓	✓	✓	✓	✓	✓	✓	✓	✓	✓	-	-	-	-
360A	✓	✓	✓	✓	✓	✓	✓	✓	✓	✓	✓	✓	✓	✓	✓	✓	✓
361AA	-	✓	✓	✓	✓	✓	✓	✓	✓	✓	✓	✓	✓	✓	✓	✓	✓
362AA	-	✓	✓	✓	✓	✓	✓	✓	✓	✓	✓	✓	✓	✓	✓	✓	✓
364A	✓	✓	✓	✓	✓	✓	✓	✓	✓	✓	✓	✓	✓	✓	✓	✓	✓
365AA	-	✓	✓	✓	✓	✓	✓	✓	✓	✓	✓	✓	✓	✓	✓	✓	✓
366AA	-	✓	✓	✓	✓	✓	✓	✓	✓	✓	✓	✓	✓	✓	✓	✓	✓
367AA	-	✓	-	✓	-	✓	-	✓	✓	✓	✓	✓	✓	✓	-	-	-
368AA	-	✓	-	✓	-	✓	-	✓	✓	✓	✓	✓	✓	✓	-	-	-
369A	-	-	-	✓	-	✓	-	✓	✓	✓	✓	✓	✓	✓	-	-	-

NOTES:

Most sizes may be cut down by up to 152mm from the non operating end during installation. See table on page 4.

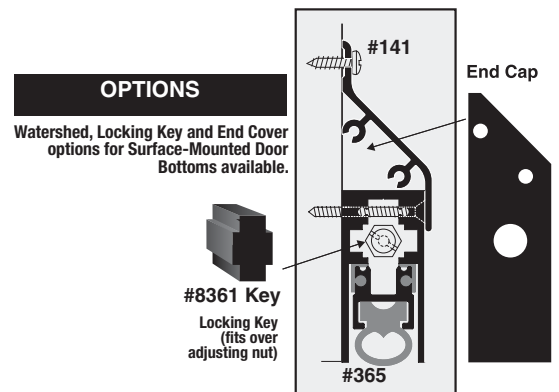
363N Replacement serrated sponge neoprene only for 360/361/362 auto door bottoms.

365N Replacement bulbous neoprene only for 364/365/366 auto door bottoms.



#8361 KEY

Locking Key to suit surface mounted dropseals 361A, 365A & 367A (fits over adjusting nut)



(For 141A and end caps see page 43)

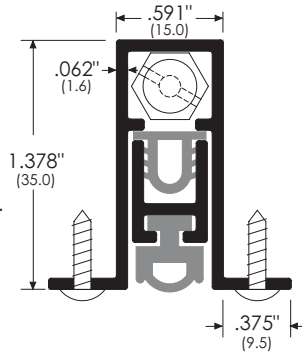
ZERO DROPSEALS

- Adjustable drop to 25mm max (unless stated otherwise)
- Surface mounted or mortice patterns
- Units can be trimmed on site
- Integral intumescent available, see page 8
- Light springing (L/S) pattern available for disabled use, see page 8
- Variety of finishes – anodised aluminium (AA), dark bronze anodised (D) and gold anodised (G)

- Tested to 5 million cycles
- Sizes 305mm – 3497mm
- Non-handed (except 321AA, 323A, 340A & 354A)
- Suitable for double doors
- EMI/RFI shielding (lead lined doors) see page 44

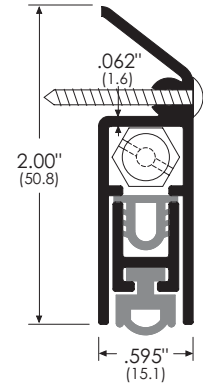
320A

Mortice pattern.
Medium duty with solid neoprene extrusion.
762mm & 914mm
1067mm & 1219mm



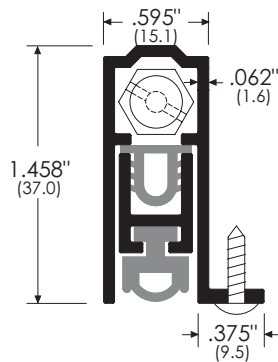
321AA (HANDED)

Surface fixing pattern with hood.
Medium duty with solid neoprene extrusion.
762mm & 914mm
1067mm & 1219mm



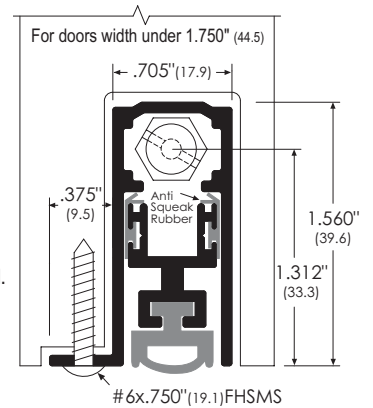
323A (HANDED)

Mortice pattern.
Only one row of mounting holes required.
762mm* & 914mm*
1067mm* & 1219mm*



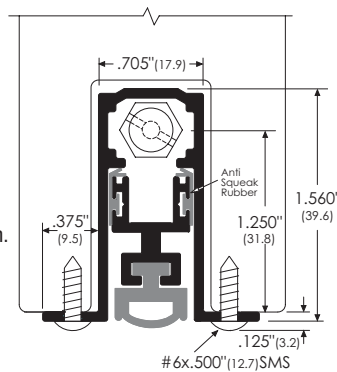
340A (HANDED)

Mortice pattern.
Only one row of mounting holes required.
762mm* & 914mm*
1067mm* & 1219mm*



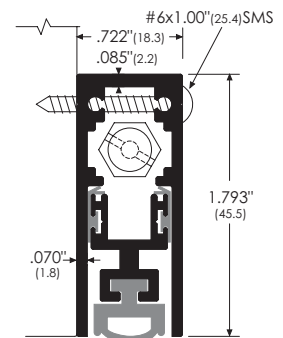
350A

Mortice pattern.
Medium duty with solid neoprene extrusion.
762mm & 914mm
1067mm & 1219mm



351AA/352AA

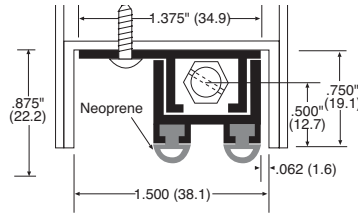
Surface fixing (351) and semi morticed pattern (352). Medium duty with solid neoprene extrusion.
762mm & 914mm
1067mm & 1219mm



ZERO DROPSEALS

354A (HANDED)

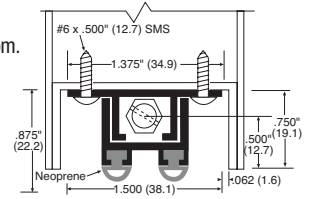
Mortice pattern. OEM pattern – fits neatly into inverted channel in door bottom.
 762mm & 914mm
 1067mm & 1219mm
 (max size 1219mm).
 Maximum drop 12.7mm.
 No end caps required.



Note: Maximum drop .500" (12.7)

355A (NON HANDED)

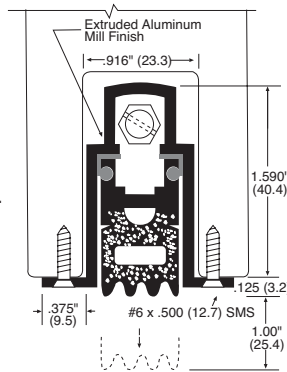
Reversible mortice pattern. OEM pattern – fits neatly into inverted channel in door bottom.
 762mm & 914mm
 1067mm & 1219mm
 (max size 1524mm).
 Maximum drop 12.7mm.
 No end caps required.



Note: Maximum drop .500" (12.7)

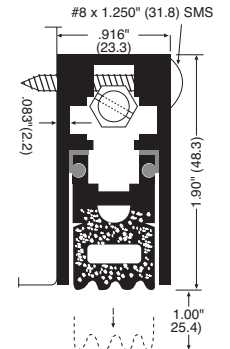
360A

Mortice pattern.
 Heavy duty with closed cell sponge neoprene.
 762mm & 914mm
 1067mm & 1219mm



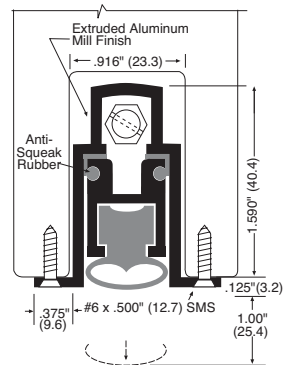
361AA/362AA

Surface fixing (361) and semi morticed pattern (362). Heavy duty with closed cell sponge neoprene.
 762mm & 914mm
 1067mm & 1219mm



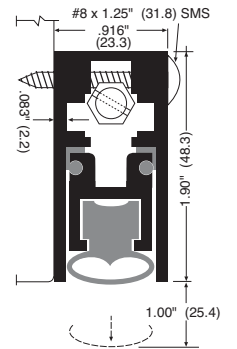
364A

Mortice pattern.
 Heavy duty with solid neoprene extrusion.
 762mm & 914mm
 1067mm & 1219mm



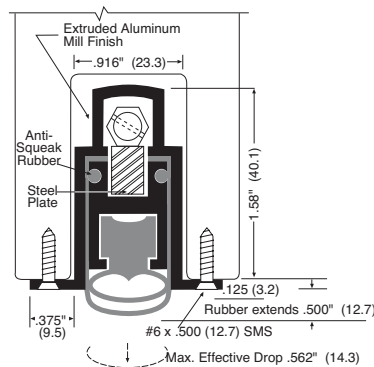
365AA/366AA

Surface fixing (365) and semi morticed pattern (366). Heavy duty with solid neoprene extrusion.
 762mm & 914mm
 1067mm & 1219mm



369A

Mortice pattern.
 Very heavy duty with double neoprene extrusion.
 762mm & 914mm
 1067mm & 1219mm
 Maximum drop 14.3mm.



367AA/368AA

Surface fixing (367) and semi morticed pattern (368). Very heavy duty with double neoprene extrusion.
 762mm & 914mm
 1067mm & 1219mm
 Maximum drop 14.3mm.

