

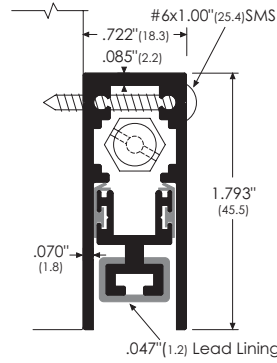
# ZERO SPECIALITY DROPSEALS

## LEAD-LINED DROPSEALS FOR X-RAY PROTECTION

Lead-lined regular duty dropseal. Surface fixing and semi morticed pattern. Used with lead-lined doors and frames. This feature is also good for rodent control. Maximum effective drop 6.4mm.

**351X-AA\*** 762mm\* & 914mm\*  
1067mm\* & 1219mm\*

Mortice pattern 350X-A\* also available (see page 44).  
Other sizes available.



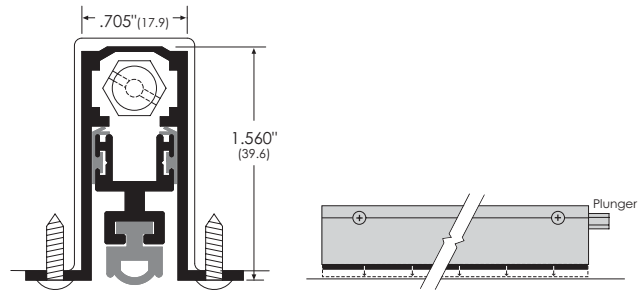
**351X-AA**

## DROPSEALS FOR SLIDING DOORS

This dropseal functions differently from all other Zero dropseals. When the plunger is compressed, the mechanism causes the insert seal to activate and drop evenly along the complete door bottom. A longer plunger may be supplied if requested.

**7350A\*** 762mm\* & 914mm\*  
1067mm\* & 1219mm\*

Other sizes available.

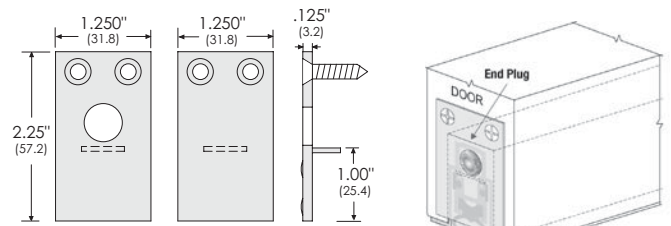


**7350A**

## EASY ACCESS DOOR BOTTOM WITH HANGING PLATE

Z49 plates are designed to secure morticed automatic door bottoms to the door without using bottom screws. The unit can be removed from either end without taking the door out of the frame. To order, specify for example 350A-Z49\*, or 360A-Z49\*.

**Z49\*** holding plates/end plugs\*



**Z49**

# ZERO SPECIALITY DROPSEALS

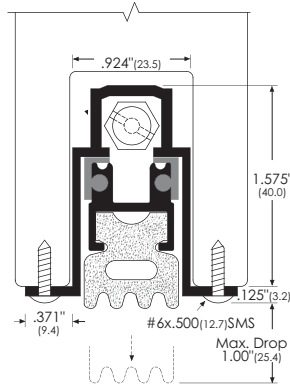
## STAINLESS STEEL DROPSEALS

Mortice patterns 360 and 364 are available manufactured from stainless steel. These are suitable for use in swimming pools and wet areas.

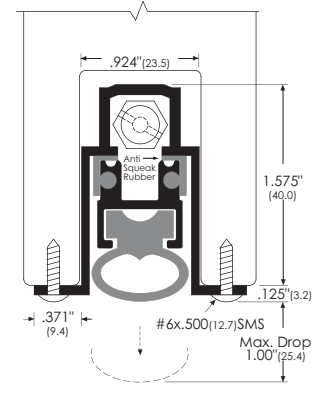
**360STST\*** 762mm\* & 914mm\*  
1067mm\* & 1219mm\*

**364STST\*** 762mm\* & 914mm\*  
1067mm\* & 1219mm\*

Other sizes available.



**360STST**



**364STST**

## DROPSEALS WITH LIGHT SPRINGING

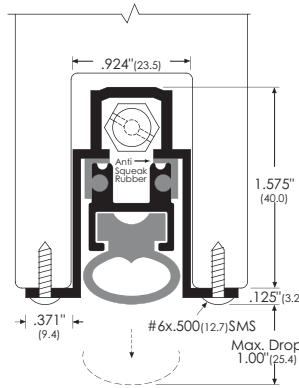
Where doors in public areas are likely to be used by wheelchair users, lower closing and opening forces may be required. "LS" models require lower operating forces than standard products although product dimensions are unchanged from standard products. These models are suitable for both sliding and hinged doors. Mortice and surface fixing patterns both available.

Patterns available: 350LSA\*, 351LS-AA\*, 364LSA\*, 365LS-AA\*.

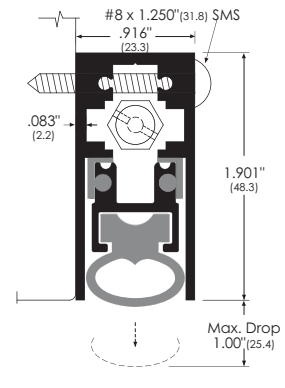
**364LSA\*** 762mm\* & 914mm\*  
1067mm\* & 1219mm\*

**365LS-AA\*** 762mm\* & 914mm\*  
1067mm\* & 1219mm\*

Other sizes available.



**364LSA**



**365LS-AA**

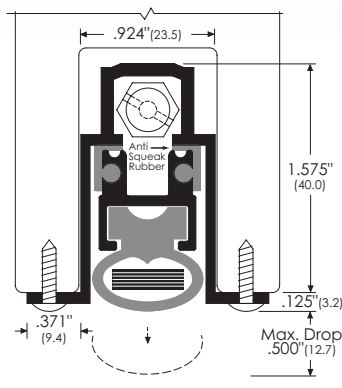
## FSA DROPSEAL WITH INTUMESCENT

The 364A and 365AA dropseals can be supplied with intumescent concealed within the neoprene gasket. In the event of fire this expands and fills the gap between the floor and the bottom of the door.

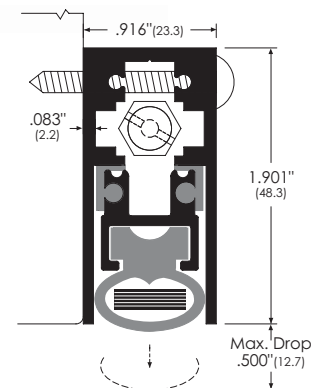
**364FSA** 762mm & 914mm  
1067mm & 1219mm

**365FS-AA** 762mm & 914mm  
1067mm & 1219mm

Other sizes available.



**364FSA**



**365FS-AA**